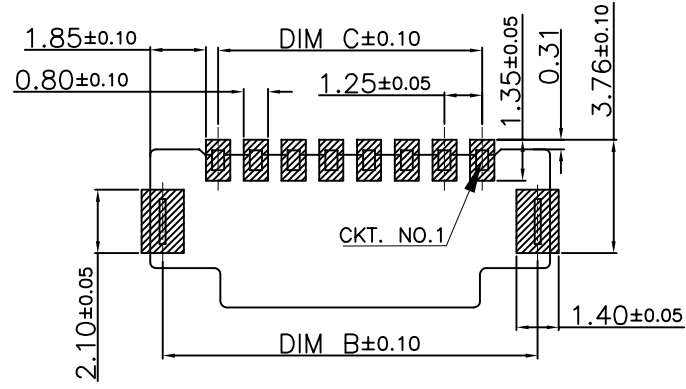
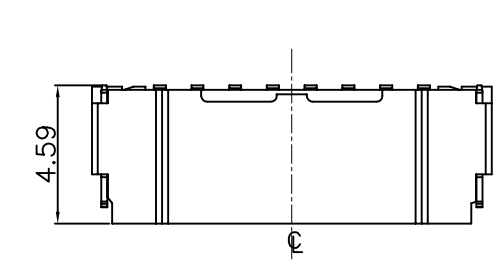
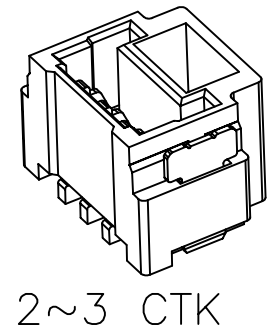
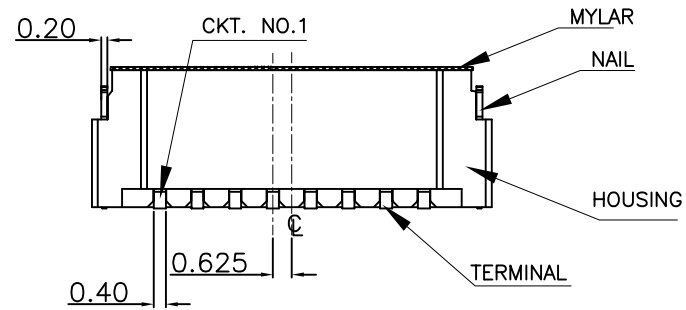
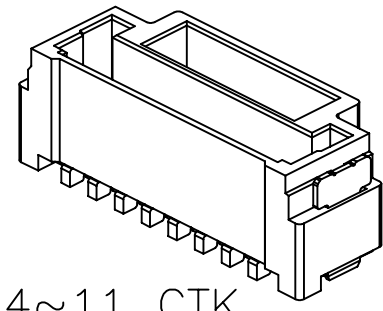
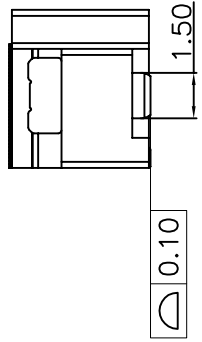
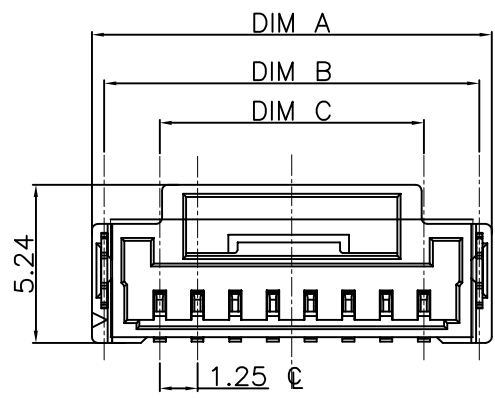




- NOTES:
- MATERIAL:
 - HOUSING: THERMOPLASTIC, HIGH TEMP., UL94V-0;
 - CONTACT: COPPER ALLOY
 - FITTING NAIL: COPPER ALLOY
 - FINISH:
 - CONTACT:
 - 50u" MIN NICKEL UNDERPLATING OVERALL.
 - N:50u"MIN MATTE TIN PLATING
 - FITTING NAIL:
 - 50u" MIN NICKEL UNDERPLATING OVERALL.
 - N:50u"MIN MATTE TIN PLATING
 - SPEC. PLS. REFER TO PS-52316-xxxxx-xxx
 - PACKAGE PLS. REFER TO 52316-xxxxx-xx-TRP
 - PART NUMBER
52316-XXX X X-XXX



RECOMMEND PCB LAYOUT(TOP VIEW)
GENERAL TOLERANCE ±0.05



NO OF CKT
PACKING
4:TAPE & REEL WITH MYLAR

XXX	COLOUR
001	BLACK

PLATING
N:MATTE TIN

CKT	Dim A	Dim B	Dim C	Mylar
003	7.00	6.18	2.50	5.75*4.10
008	13.25	12.43	8.75	12.00*4.10

QUALITY SYMBOLS MAJOR Ⓢ CRITICAL Ⓢ GENERAL TOLERANCES (UNLESS SPECIFIED) X. ±0.5 .X ±0.25 .XX ±0.15 .XXX ±0.1 ANGLES ±2°	DRAWN BY GUOFEI '23/04/03	DATE '23/04/03	
	CHECKED BY BRAVE '23/04/03	DATE '23/04/03	
	UNITS mm		SIZE A4
	SCALE 2:1	SHEET NO. 1 OF 1	REV A
			RFRQ NO. N/A
			DWG NO. 52316-XXXXX-XXX